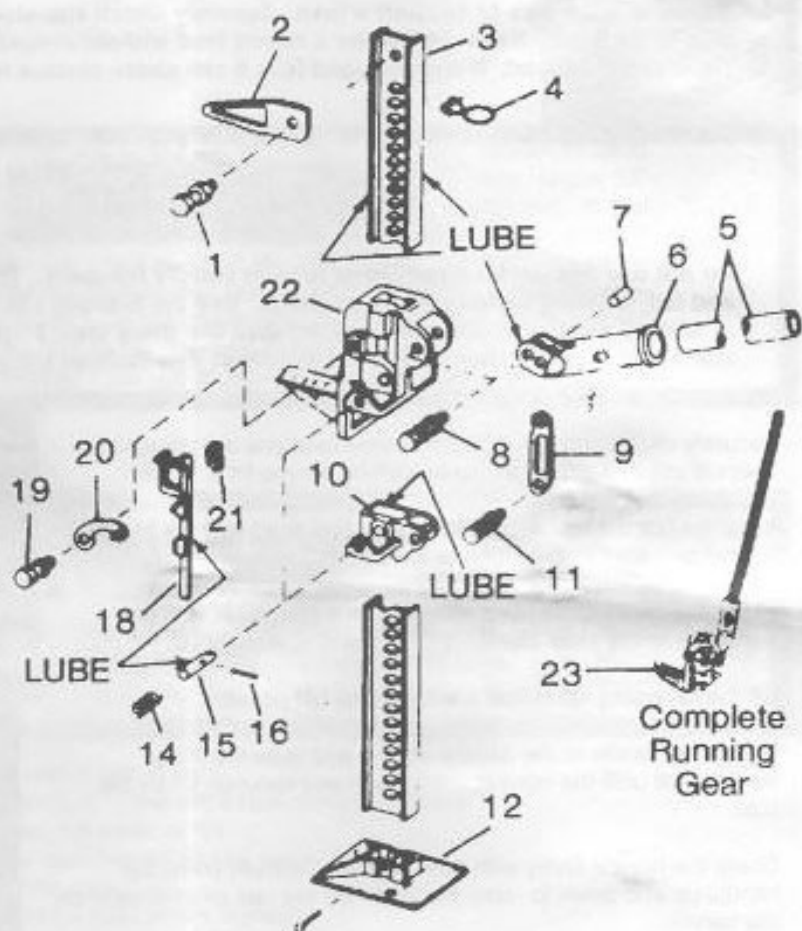


PARTS LIST

Following are the parts for all Hi-Lift Jacks. You can order parts from your dealer. You can also order parts directly from the Hi-Lift[®] Jack Company by calling (800) 233-2051, or (812) 384-4441 from outside the USA.

- 1 Top Clamp-Clevis Bolt
- 2 Top Clamp-Clevis
- 3 Steel Standard (Bar)
- 4 Handle Spring Clip
- 5 Steel Handle w/ Cotter Pin
- 6 Handle Socket
- 7 Pitman Pin
- 8 Hex Bolt
- 9 Pitman
- 10 Small Runner
- 11 Hi-Lift[®] Shear Bolt
- 12 Foot Piece w/ Cotter Pin
- 14 Climbing Pin Spring (2 required)
- 15 Climbing Pin (2 required)
- 16 Cross Pin (2 required)
- 18 Reversing Switch Cam Bar and Spring
- 19 Cap Screw w/ Washer
- 20 Reversing Latch
- 21 Reversing Switch Spring
- 22 Large Runner
- 23 Running Gear (assembled)

Safety Label also available.



Not pictured:

E-J part #80-153 5/8" bent pin, cotter and swivel hub for Equipment Agricultural Jack.

EK-1 (FIX-IT KIT)-includes the following: two each of parts 14, 15, 16, one 11 & a tube of lubricant.

Individual parts may vary on some models; part name and number remain the same.

Steel Bar:

Keep the front and back edges of the steel standard (bar) lightly lubricated and free from dirt and rust.

Pitman Pin:

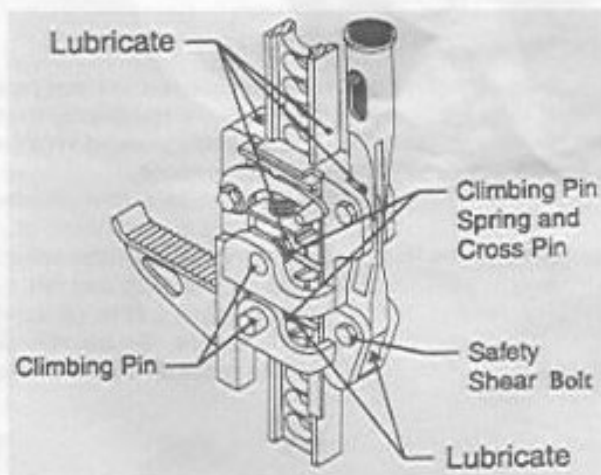
Keep the pitman pin lubricated or it will damage the handle socket and pitman.

Shear bolt:

Keep the shear bolt clean and lubricated to keep it from wearing out.

Climbing Pins and Springs:

Keep both climbing pins and springs lubricated and free from dirt and rust.



Do not use motor oil or grease to lubricate the jack.

CAUTION

Jack is not self-lubricating. It will not operate safely without proper lubrication.

IF YOUR JACK BINDS

As your Jack becomes older, the climbing pins may start binding in the holes of the steel standard (bar). This will prevent the Jack from operating properly and safely. Rusty climbing pins, dirt, or a worn bar can cause binding. Clean and lubricate the lifting mechanism. Test the Jack by jacking it up without a load. If the binding continues, send it to the address below for repair.

REPAIRING THE JACK

When repairing your Jack use only genuine Hi-Lift® parts. **Using replacement parts not supplied by Hi-Lift® Jack Company will make the Jack unsafe to use.**

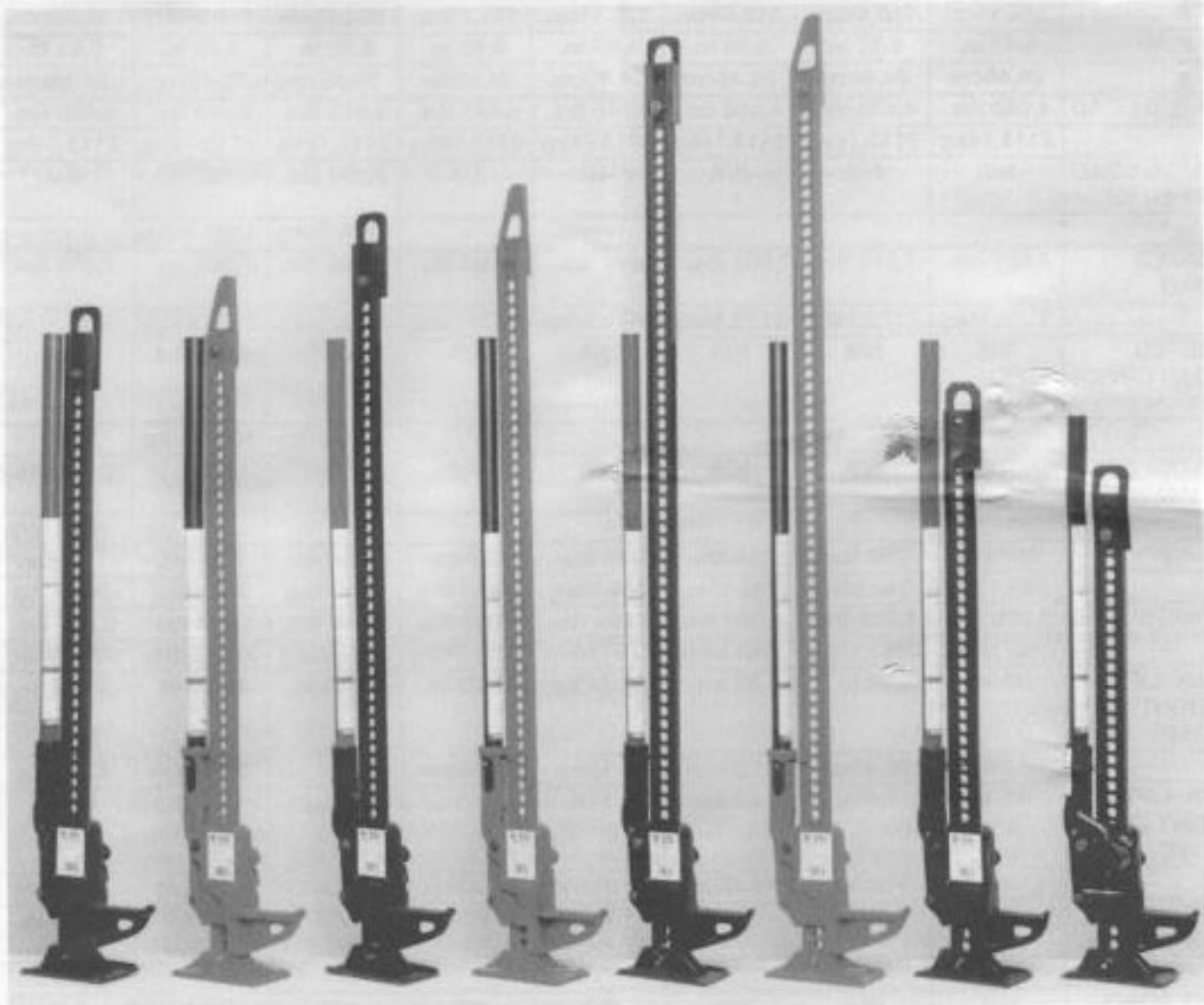
Hi-Lift® Jack Company will repair a damaged Jack. Pack the Jack in a carton and send prepaid to:

Hi-Lift® Jack Company
Factory Service Department
46 West Spring Street
Bloomfield, Indiana 47424

The repaired Jack will be returned to you U.S. Postal, UPS, RPS or C.O.D. for the cost of replacement parts, service, and transportation. We will notify you with an estimate before we do any work.



Instruction Manual



HL-424

HL-425

HL-484

HL-485

HL-604

HL-605

HL-364

EJ-550

Hi-Lift Jack Company
P.O.Box 228
Bloomfield, IN 47424-0228USA

Toll Free: (800) 233-2051
Direct: (812) 384-4441
Fax: (812) 384-4592

<http://www.hi-lift.com>

MEETS APPLICABLE REQUIREMENTS OF ASME/ANSI B30.1-1992